

Quick Start Guide

Fronius Backup Switch
1PN/3PN-63A



<https://manuals.fronius.com/html/4204260537>

**OPERATING
INSTRUCTION**





EN: WARNING!

Incorrect operation or poorly executed work can cause serious injury or damage. Installation and commissioning must be carried out by trained personnel in accordance with the nationally applicable standards and guidelines. Before working with the device, ensure that you have read and understood all the documents printed and provided in hard copy and online. When PV modules are exposed to light, they supply voltage to the inverter. This document does not describe all possible system configurations.

FR: AVERTISSEMENT!

Les erreurs de manipulation et les erreurs en cours d'opération peuvent entraîner des dommages corporels et matériels graves. L'installation et la mise en service ne doivent être effectuées que par du personnel formé et conformément aux normes et directives nationales en vigueur. Ne travailler avec l'appareil que lorsque tous les documents mis à disposition en annexe ou en ligne ont été lus et compris! Les modules solaires recevant de la lumière fournissent de la tension à l'onduleur. Ce document ne décrit pas toutes les configurations système possibles.

DE: WARNUNG!

Fehlbedienung und fehlerhaft durchgeführte Arbeiten können schwerwiegende Personen- oder Sachschäden verursachen. Die Installation und Inbetriebnahme darf nur durch geschultes Personal und gemäß den national gültigen Normen und Richtlinien erfolgen. Vor Arbeiten mit dem Gerät, alle beiliegenden, aufgedruckten und online zur Verfügung gestellten Dokumente lesen und verstehen! PV-Module, die Licht ausgesetzt sind, liefern Spannung an den Wechselrichter. Dieses Dokument beschreibt nicht alle möglichen Systemkonfigurationen.

IT: AVVISO!

L'esecuzione errata degli interventi può causare gravi lesioni personali e danni materiali. L'installazione e la messa in funzione del sistema deve essere eseguita esclusivamente da personale qualificato e conformemente alle norme e direttive in vigore nel luogo di installazione. Prima di lavorare con l'apparecchio, leggere e comprendere tutta la documentazione acclusa con esso e disponibile online! I moduli solari esposti alla luce erogano tensione all'inverter. Il presente documento non descrive tutte le possibili configurazioni del sistema.

Detailed, country-specific warranty terms are available on: www.fronius.com/solar/warranty

Warning signs explanation

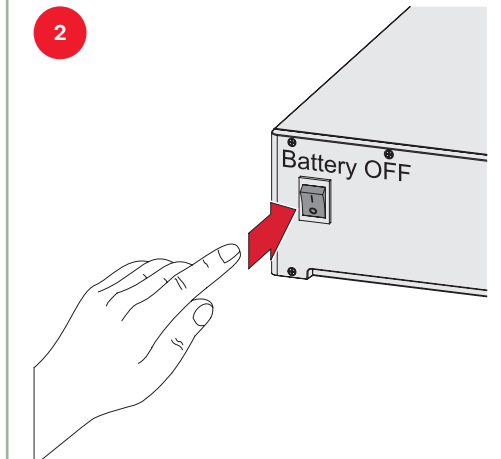
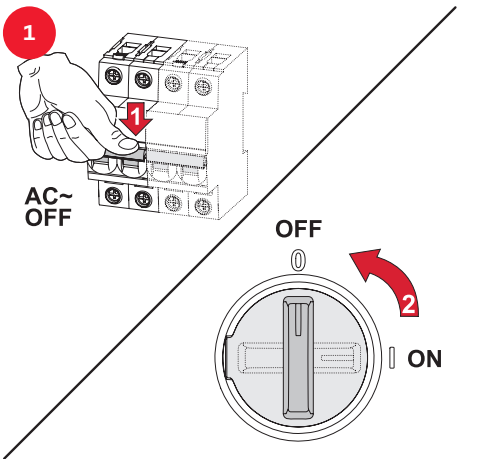


General warning sign

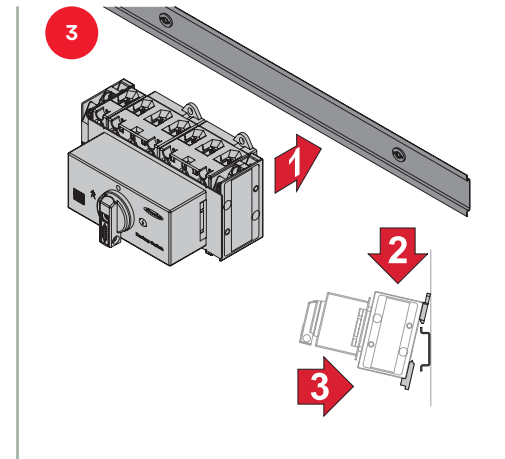


Electricity hazard

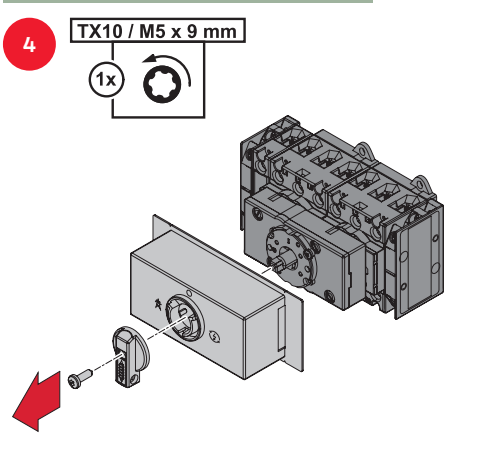
Switching OFF



Mounting



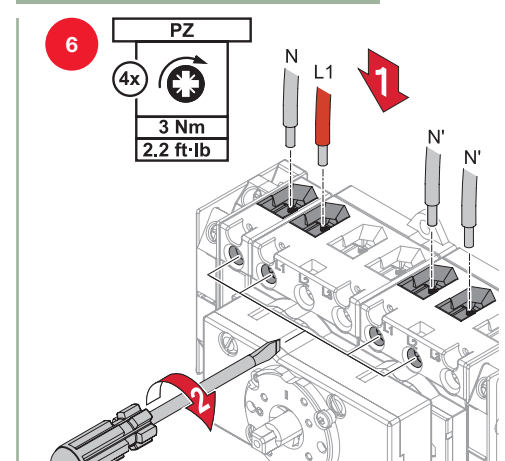
Preparing for installation



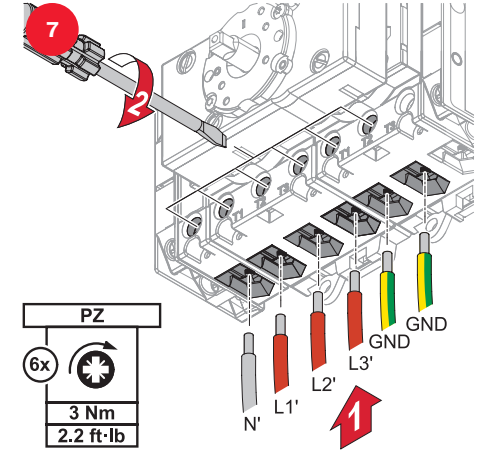
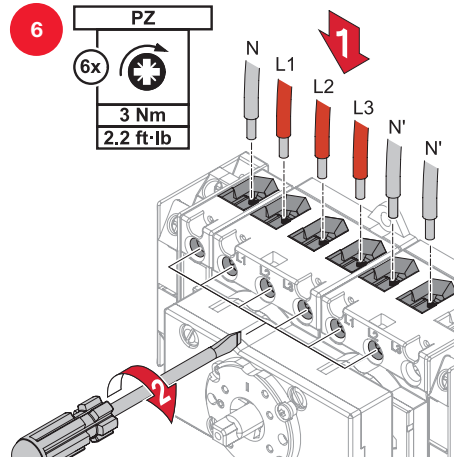
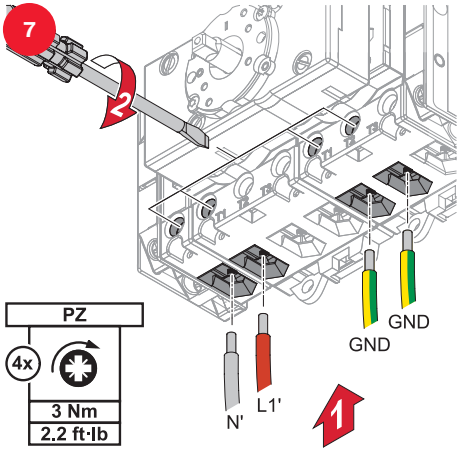
5 14 mm (0.55 in.)

conductor per terminal	CU wire	
	1 - 25 mm ²	4 - 16 mm ²
	max. 2 x 10 mm ²	

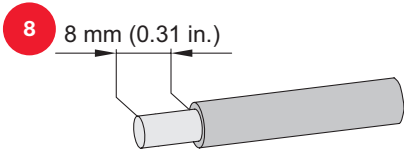
Option: 1PN separation



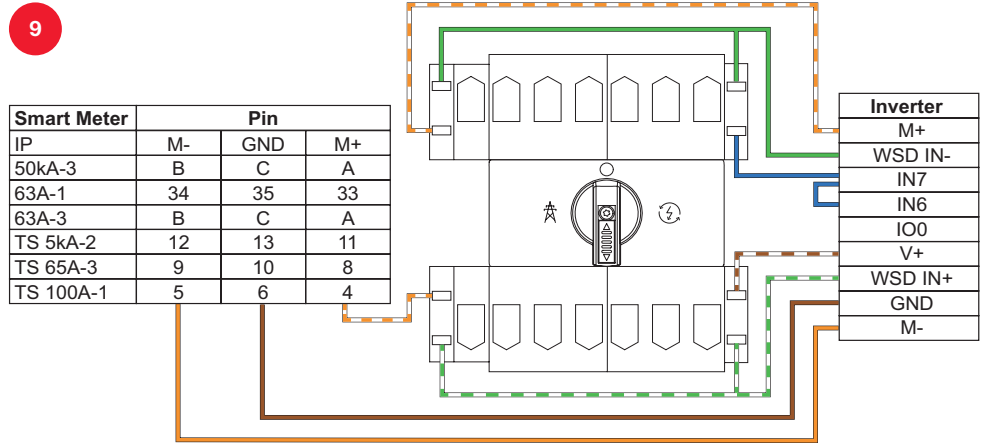
Option: 3PN separation



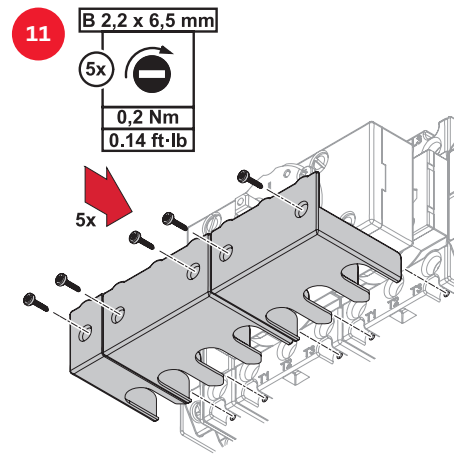
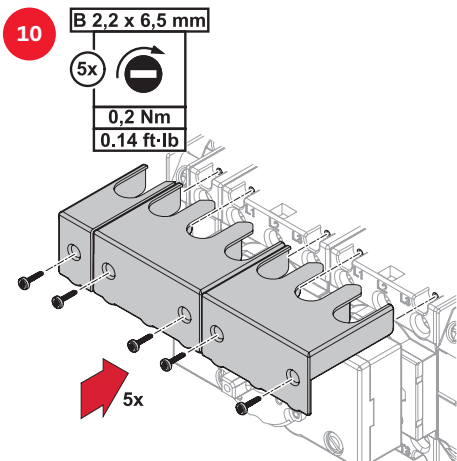
Connecting the data communication



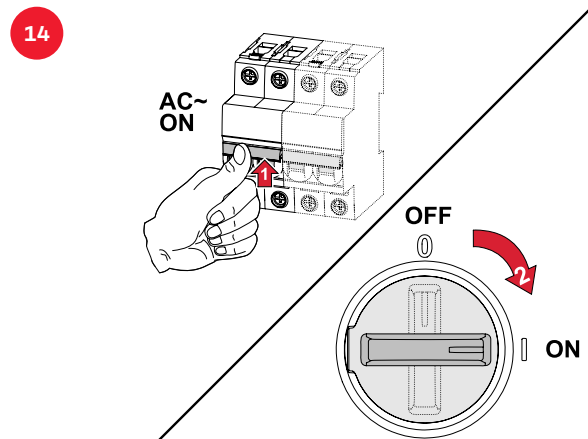
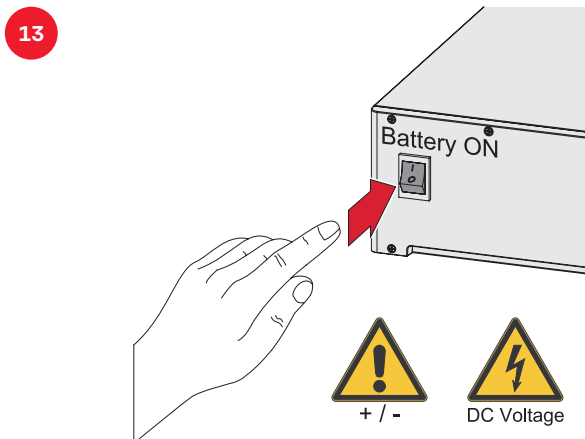
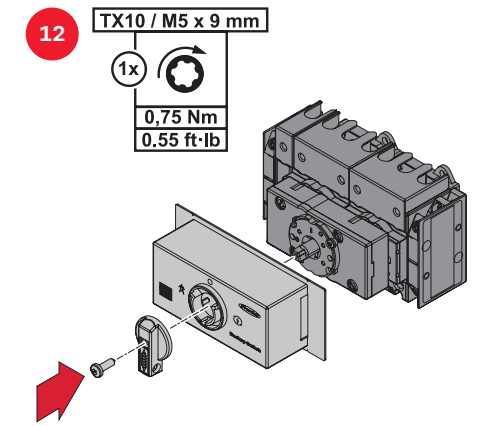
conductor per terminal	CU wire	
	0,13 - 2,5 mm ²	0,75 - 2,5 mm ²



Mounting the protective cover



Commissioning



User interface configuration

15 **Fronius**

← Device Configuration — (1)

Functions and I/Os — (2)

Functions and I/Os

V+/GND	IO	I
V+	0	6
V+	2	8
V+	4	10
GND	1	7
GND	3	9
GND	5	11

(3)

Backup Power

CONFIGURATION	I/Os
Backup Power Mode* Full Backup — (4)	Activate backup interlock Pin 0 (Default)
	Backup interlock feedback Pin 7 (Default)

- (1) Open user interface of the inverter
- (2) Navigate to **Device Configuration** > **Functions and I/Os**
- (3) Activate **Backup Power**
- (4) Select **Full Backup** under **Backup Power Mode**

Testing the backup power function

16

Grid supply

OFF

Backup power supply

17



<https://www.fronius.com/en/solar-energy/installers-partners/downloads>

search for: „42,0426,0365“

